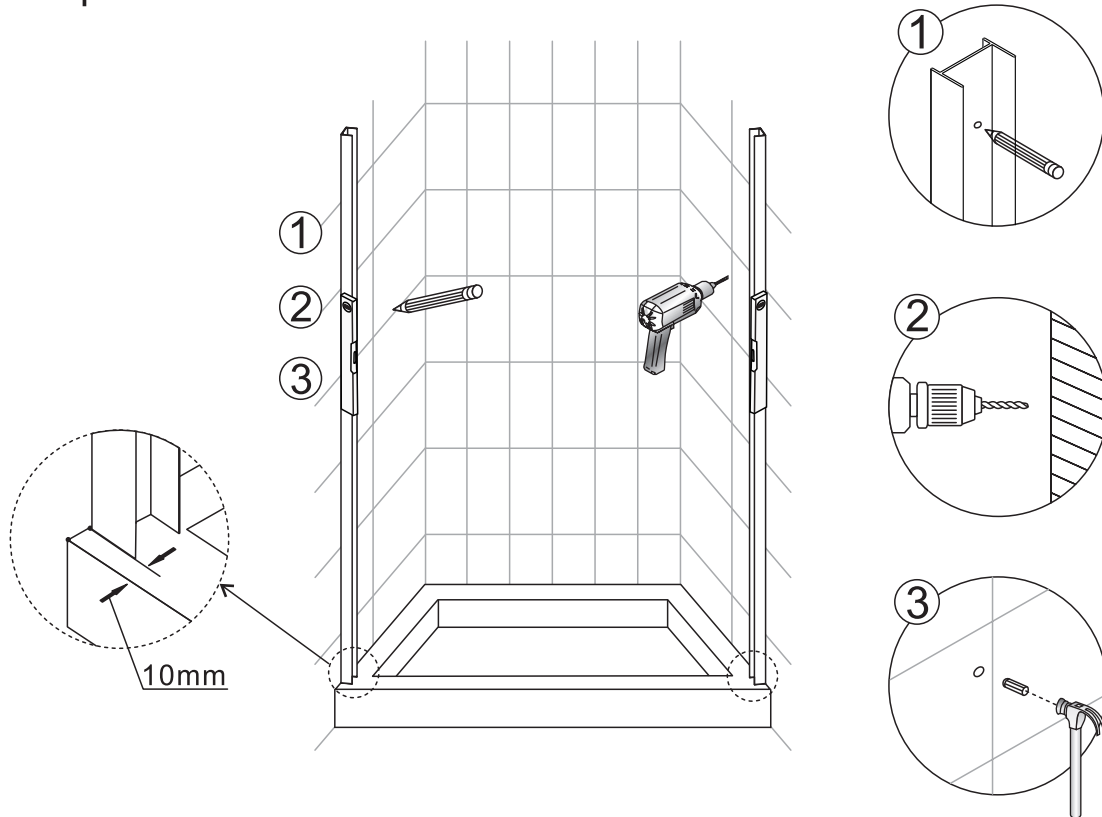
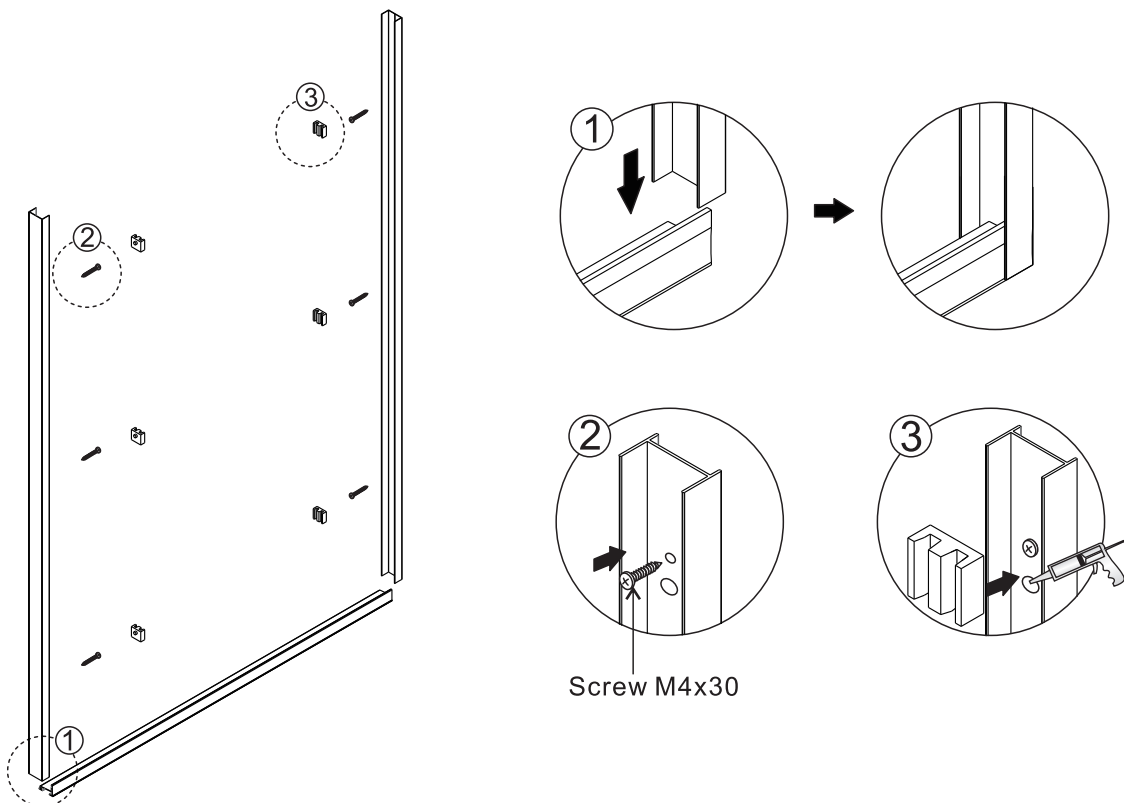


◆ Installation Steps:

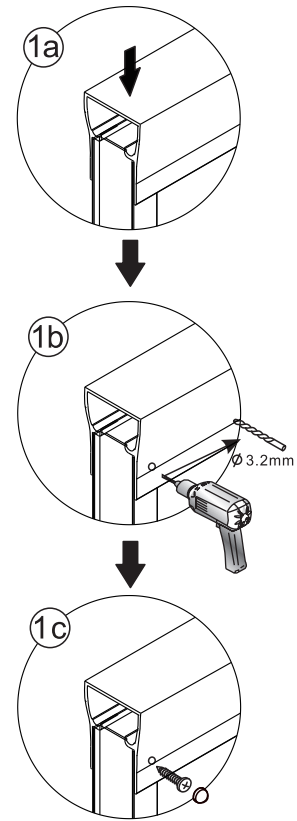
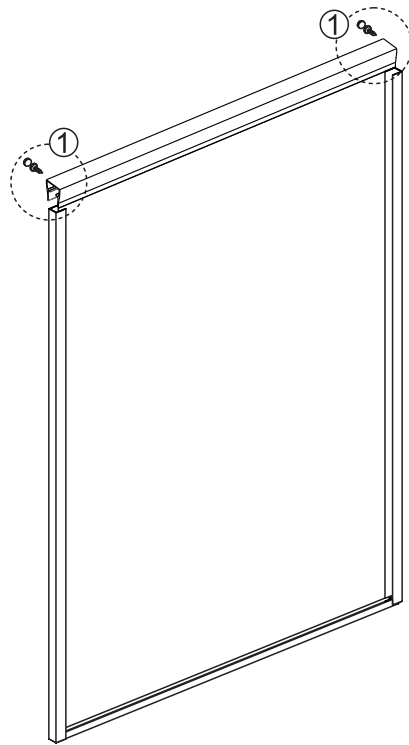
Step 1



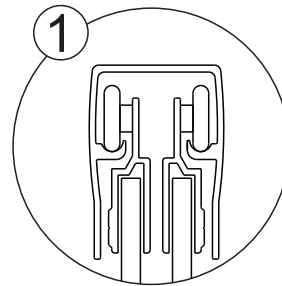
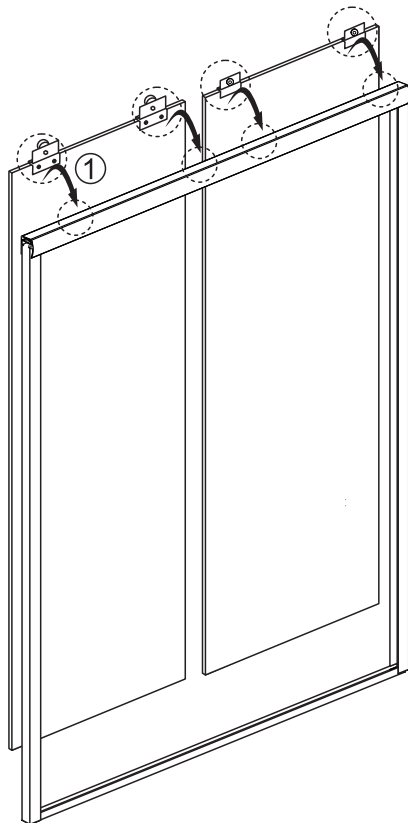
Step 2




Step 3

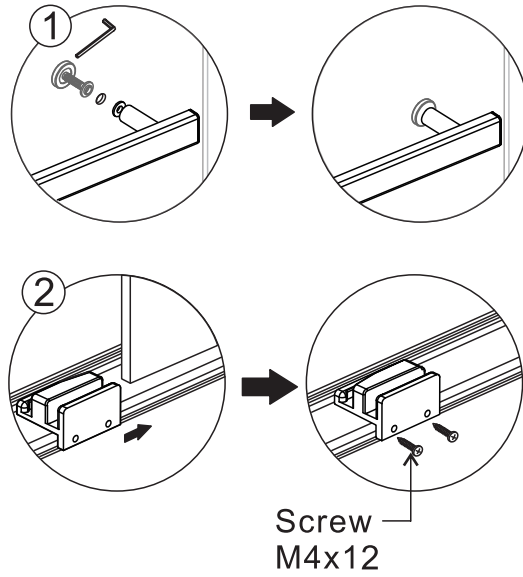
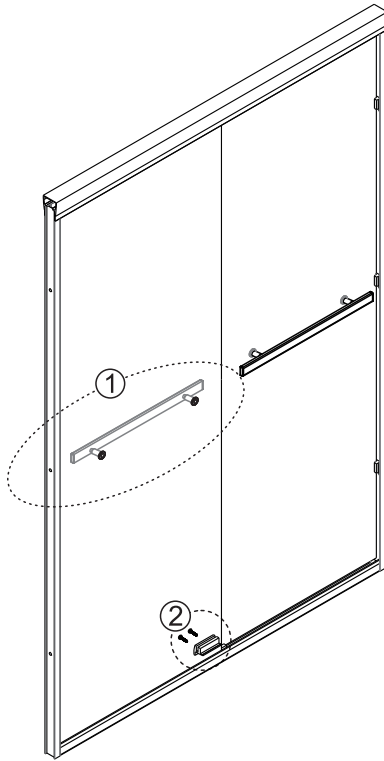


Step 4

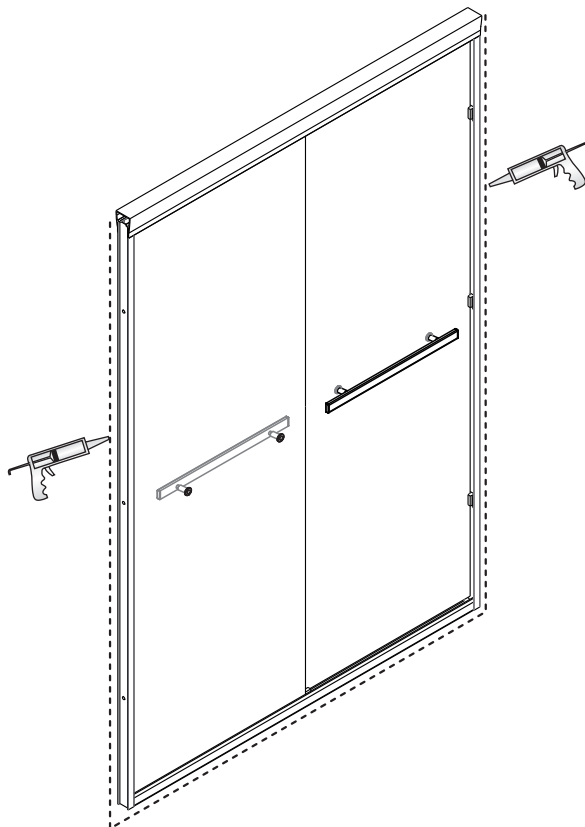


 Ensure wall profiles are plumb. Adjust enclosure to be square and level. Wall post and profile should be adjust to square the doors and Ensure open door smooth.

Step 4



Step 5



Allow 24 hours for silicone to dry before use.

