

## Trash Bin Double



**Model: HW-TB350-18L**

Desc: Trash Bin Double

Fit Size: 312-318(W) X 506(D) X 470(H)MM

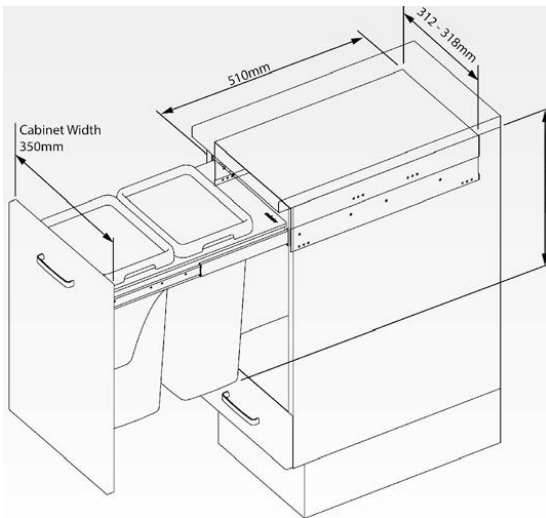
Color: One White & One Grey

Capacity:: 18L x 2

Cabinet Size: 350mm

Product Features:

- Clip-on Bag Holder
- Concealed Bag Liners
- Easily Removable Bins
- Integrated Bin Handle
- Full Extension Soft-close Slides
- Large & Study Bins
- Door Mount Bracket
- Kit includes: Soft-Close Concealed Slides



Disclaimer: Nerval makes every effort to provide accurate specification data. However, specification may change without notice. Please visit nerval website to see NERVAL'S TERMS AND CONDITIONS.