

Hand Dryer

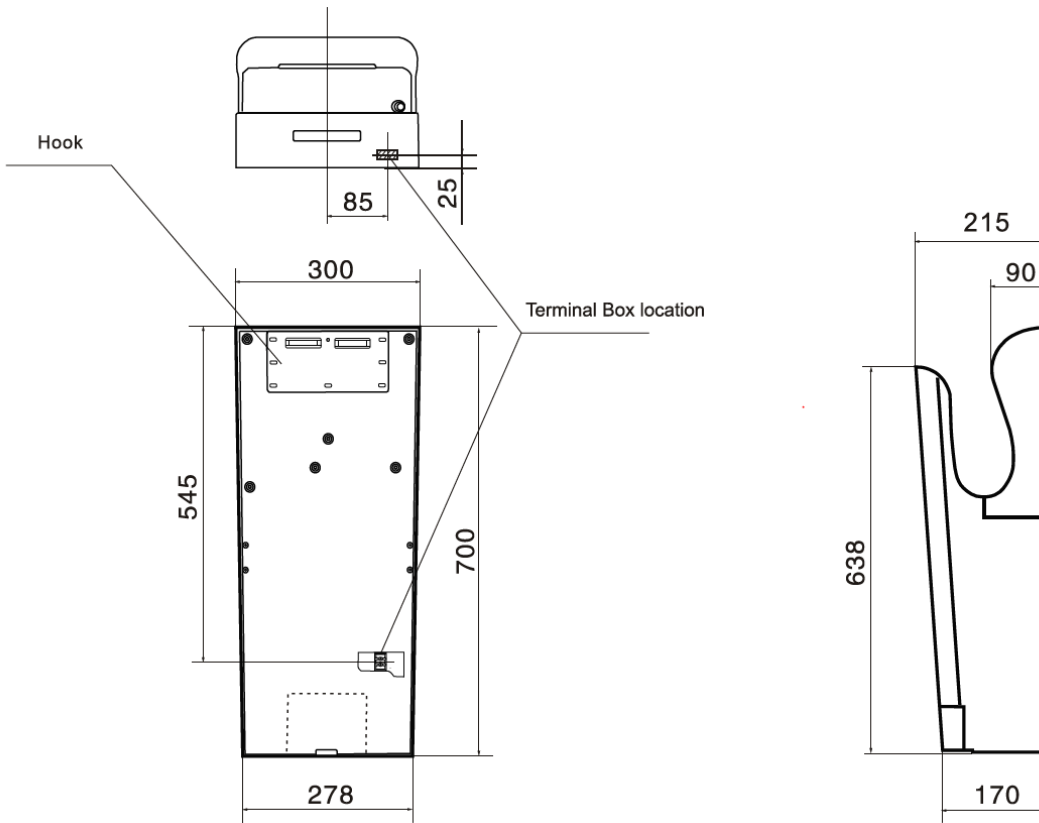


Model: HD-1000WH

- Description: Hand Dryer
- Dimensions: W300mmx D215mm x H638mm
- Color: White
- Voltage: AC100-130V
- Input Power: 1650-2050W
- Wind Velocity: 95M/S
- Heating Power: 1000-1200W
- Motor: Brushless DC Motor
- Induction Method: IR Blocking
- Protection Class: IPX4
- Net Wight: 9.5KG
- Brand: NERVAL

Hand Dryer

Dimensions:



Hand Dryer

Features:

- Noise Reduction
- The HD-1000WH is acoustically engineered to reduce noise output caused by both the air rush and the motor.
- HEPA Air Filter
- Filtrates 99.9% of airborne particles and pathogens, such as viruses, bacteria, and fecal matter.
- Energy Saving
- Only 0.003 kWh/use
- UV Lamp
- Destroys germs upon entering the unit.
- Anti-Damage Timer
- The machine will stop blowing after working for 25 seconds, until hands are drawn out and re-inserted.
- Ultimate Efficiency
- 5-7 seconds drying time
- Heat & Speed Options
- Options of heat & high/low speed.
- Drain Tank
- Prevents water from pooling in the unit; hygienic.

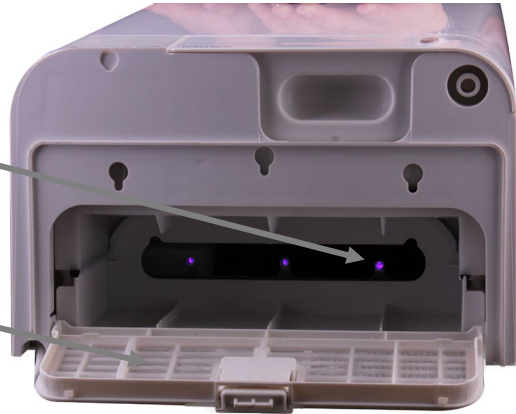
Hand Dryer

UV LAMP

Destroys germs upon entering the unit.

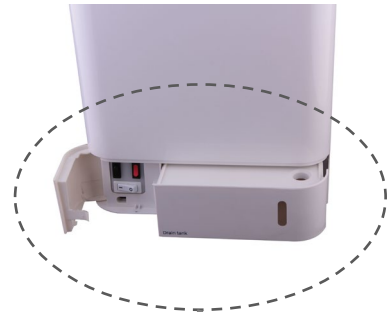
HEPA AIR FILTER

Filtrates 99.9% of airborne particles and pathogens, such as viruses, bacteria, and fecal matter.



HEAT & SPEED OPTIONS

Options of heat & high/low speed.



DRAIN TANK

Prevents water from pooling in the unit.
Hygienic.

