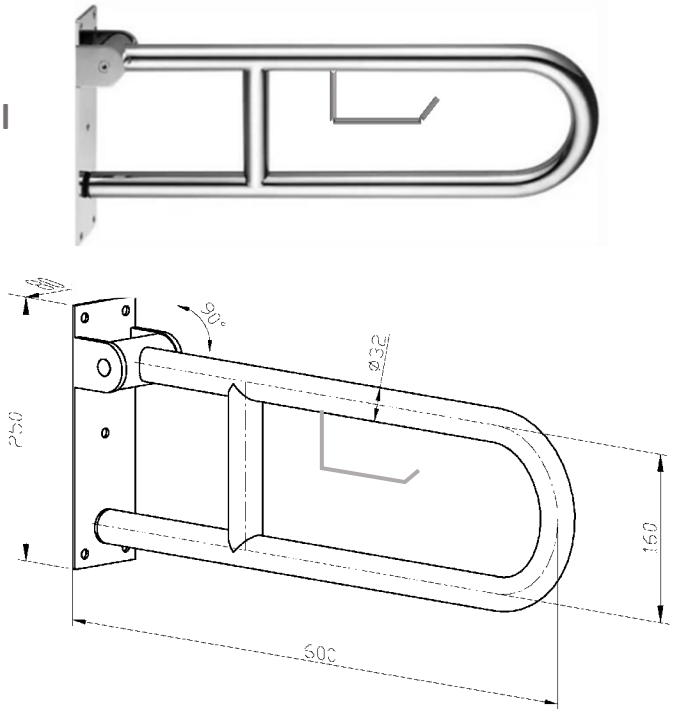


Foldable Grab Bar 90 degree

Model: BA-F30TPSS304

Foldable Grab Bar 90 degree, With Toilet Paper Holder, Brushed Nickel

- Material: SS304
- Size: 24" x 6.5" 90 degree
- Tube: 1.25" dia.
- Tube Thickness: 18ga
- Flange: 3.15" x 9.85"
- Hardware: Included
- Brand: NERVAL



Tubing

1-1/4" O.D. 18 gauge stainless steel, seamless construction with exposed surfaces in architectural brushed nickel & knurled finish. Bent ends of tubing pass thru the flanges and are welded for maximum strength. Intermediate supports are contour cut and joined by welding to form an integral part of the grab bar. All welds ground and polished to blend.

Mandrel bending process maintains uniform bar diameter. Return provides 1-1/2" standard safety clearance between wall and bar.

Strength

When properly mounted, all NERVAL heavy duty grab bar systems meet or exceed the requirements of ANSI Standard A117.1, the ADA and ABA Accessibility Guidelines for Buildings and Facilities (ADAAG), and the Uniform Federal Accessibility Standard (UFAS).

Installation

Verify all rough-in dimensions prior to installation. Secure to wall where adequate in-wall backing exists. Use bar as template to locate mounting holes. Drill holes and set anchors as appropriate. Mount grab bar and secure mounting screws. Snap escutcheons into place.

Disclaimer: Nerval makes every effort to provide accurate specification data. However, specification may change without notice. Please visit the Nerval website to see NERVAL'S TERMS AND CONDITIONS.