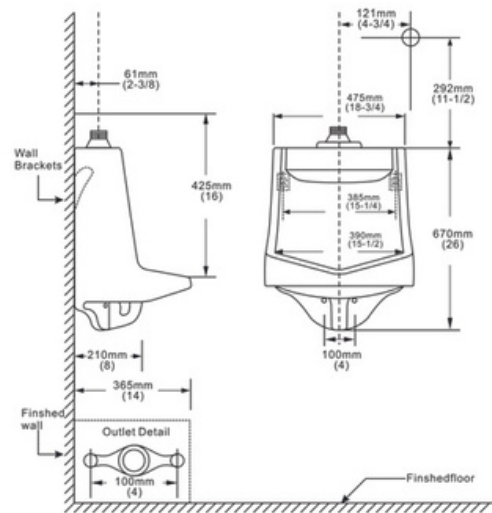




# WALL-MOUNTED URINAL

**MODEL: WF-401**

- Description: Wall-Mounted Urinal
- Shape: Square
- Size: 18-3/4" x 2-3/8" x 26"
- Top Flushing Installation
- MicroGlaze™ anti-microbial, stain-resistance glaze
- Fully glazed 2-1/8" internal trapway
- Factory flush-tested



Disclaimer: Nerval makes every effort to provide accurate specification data. However, specification may change without notice. Please visit nerval website to see Nerval's terms and conditions.

Non-Porous Surface	 cUPC Certified
Stain Resistant	
Anti-Scratch	