

STAINLESS STEEL SINK

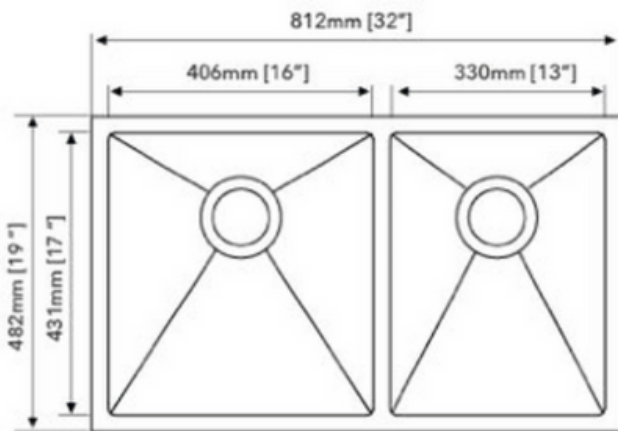
SPECIAL ORDER

MODEL: SS-112-20-3219A2

DEPTH	GAUGE
10"	18



- Square 10 Degree Radius Dual Bowl Sink
- Dimensions: 32"x19"
- Material: SS304
- Finish: Brushed



Undercoated and Sound Pads

3-1/2" Drain Opening

Supplied with Fasteners



cUPC Certified



Disclaimer: Nerval makes every effort to provide accurate specification data. However, specification may change without notice. Please visit nerval website to see Nerval's terms and conditions.