

Window Blinds



Model: Vision Blinds With Full Fascia Cassette

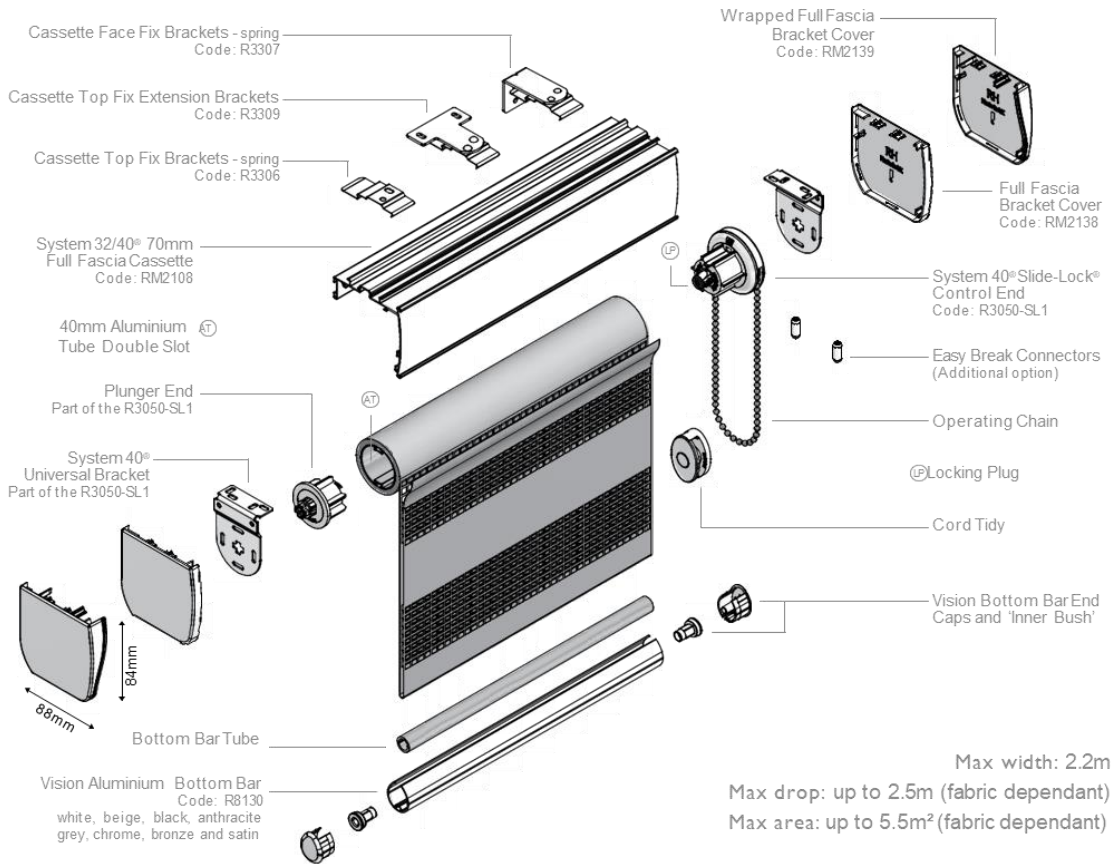
- Size: Custom
- Support Material: Aluminum
- Finish: Custom Finish
- Installation: Optional
- Brand: NERVAL
- Additional Feature: Wireless remote controller available
- Warranty: Limited 1 year

Features:

- Manufactured using high quality engineering grade polymer.
- Universal brackets and a spring idle end plunger enable easy and quick installation.
- Locking plug inside clutch ensures continued performance of larger blinds.
- Can be motorized using Lithium rechargeable motor or hard-wired a/c motor.
- Fascia colors available: white, beige, black and anthracite grey.
- Matching color fascia brackets are available.

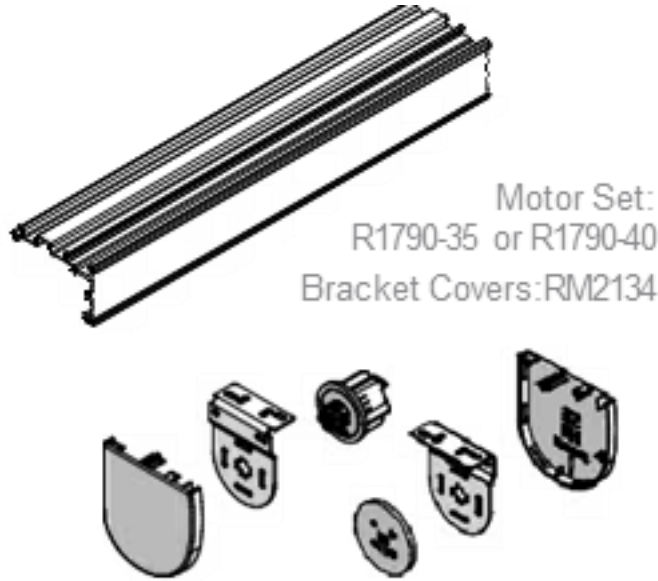
Disclaimer: Nerval makes every effort to provide accurate specification data. However, specification may change without notice. Please visit nerval website to see NERVAL'S TERMS AND CONDITIONS.

Hardware Details:



Disclaimer: Nerval makes every effort to provide accurate specification data. However, specification may change without notice. Please visit nerval website to see NERVAL'S TERMS AND CONDITIONS.

OPTIONAL - CASSETTES

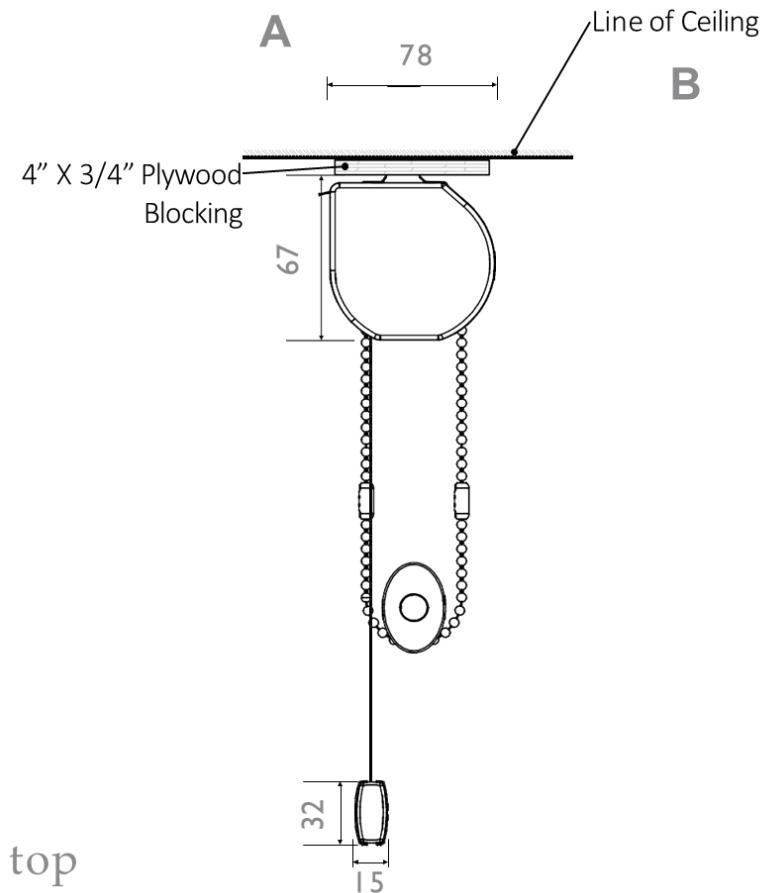


NERVAL SIDE CONTROL SYSTEMS MAXIMUM BLIND SIZE

SYSTEM	FABRIC GROUP	BLIND WIDTH (m) FOR BLIND DROP (m)				MAX HOLDING WEIGHT
		0.5	1.0	1.5	2.0	
System 40®	up to 200g/m sq	5.0	5.0	5.0	5.0	9lb blind at 6mm deflection
	200 > 320g/m sq	3.75	3.75	3.75	3.75	
	320 > 485g/m sq	5.0	5.0	5.0	3.55	

Disclaimer: Nerval makes every effort to provide accurate specification data. However, specification may change without notice. Please visit nerval website to see NERVAL'S TERMS AND CONDITIONS.

Following detail is only to show blocking required:



Disclaimer: Nerval makes every effort to provide accurate specification data. However, specification may change without notice. Please visit nerval website to see NERVAL'S TERMS AND CONDITIONS.