



## Model: Roller Blinds

- Size: Custom
- Support Material: Aluminum
- Finish: Custom Finish
- Installation: Optional
- Brand: NERVAL
- Additional Feature: Wireless remote control available
- Warranty: Limited 1 year

## Features:

- 10 years life cycle tested to ensure long lasting performance.
- Anti-fray features that ensure enhanced blind performance.
- For blinds up to 2.5m wide, with a 9lb maximum holding weight.
- Improved chain location for quick and easy on-site adjustment.
- Manufactured using high quality engineering grade polymer.
- Universal brackets and a spring idle end plunger enable easy and quick installation.
- Locking plug inside clutch ensures continued performance of larger blinds.
- Black , White anthracite grey.

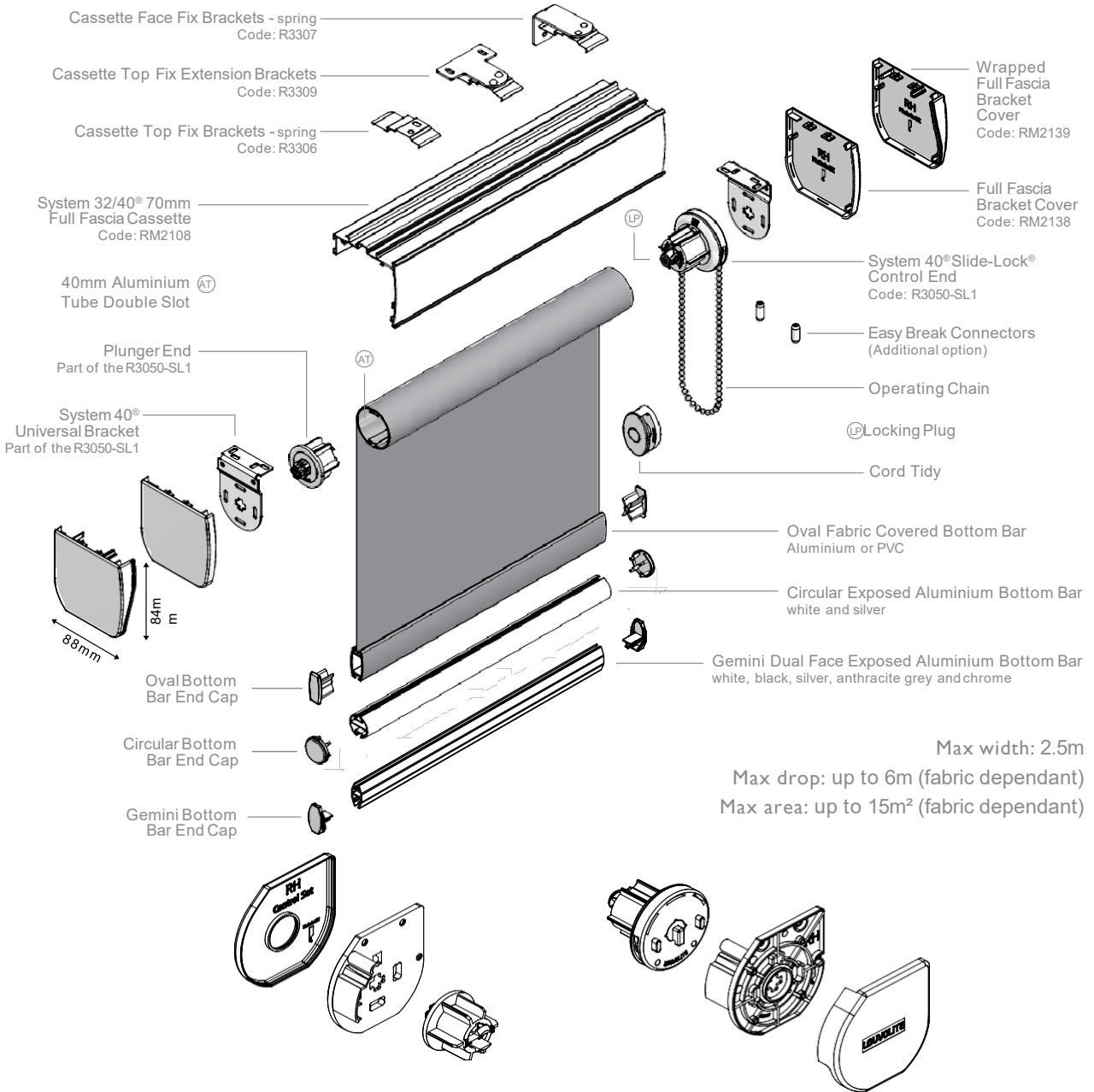
Disclaimer: Nerval makes every effort to provide accurate specification data. However, specification may change without notice. Please visit nerval website to see NERVAL'S TERMS AND CONDITIONS.

## General Information:

- Window Blind System is chain operated roller system utilizing a bi-directional, wrap spring clutch. The system is capable of smoothly raising and lowering the blind to any desired height and maintaining that height with no slippage. Different sizes are available based on the weight of fabric.
- Control End does not require any adjustment after installation. Clutch is mounted in the Control end of the roller tube. The Control End is made from glass filled nylon 5 construction.
- Operating loop can be either; plastic bead chain or metal ball chain, with metal end brackets C/W bracket covers.
- Child safety device is attached to the control chain and installed properly on site.
- End plug(s) are spring loaded for easier installation. They shall be available in black or white and fit tightly into the roller tube.
- Mounting brackets are capable of mounting inside, outside, or to the ceiling, with the clutch on either the right or left end of the roller. All brackets are made of galvanized steel zinc plated and powder coated finish.
- Roller tube is 40mm aluminium tubing, with the maximum degree of Torsional strength and maximum resistance to tube deflection. Tubes are available in 1-1/4" or 1-1/2" sizes, based on overall width of roller(s)
- Fabric is attached to the tube with an adhesive strip. A minimum of one turn of fabric must be placed on the roller before the working section of fabric starts.
- Bottom options includes an internal and external bottom bars. External bottom bar is aluminum in an oval shape, and are available in white, black, alabaster, and anodized.

Disclaimer: Nerval makes every effort to provide accurate specification data. However, specification may change without notice. Please visit nerval website to see NERVAL'S TERMS AND CONDITIONS.

## Hardware Details:

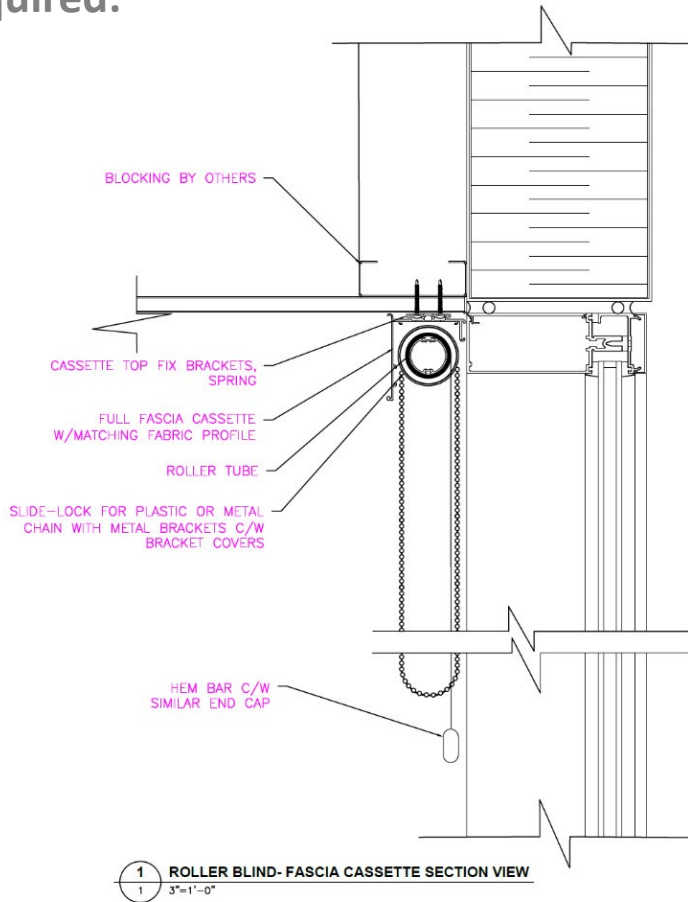


Disclaimer: Nerval makes every effort to provide accurate specification data. However, specification may change without notice. Please visit nerval website to see NERVAL'S TERMS AND CONDITIONS.



Proudly Fabricated in  
Canada  
[www.nervalcorp.com](http://www.nervalcorp.com)

Following detail is only to show blocking required:



**NOTE:** Blocking is recommended for secure connection.

## LOUVOLITE SIDE CONTROL SYSTEMS MAXIMUM BLIND SIZE

SYSTEM	FABRIC GROUP	BLIND WIDTH (m) FOR BLIND DROP (m)					MAX HOLDING WEIGHT
		0.5	1.0	1.5	2.0	2.5	
System 40 <sup>®</sup>	up to 200g/m sq	5.0	5.0	5.0	5.0	5.0	9lb blind at 6mm deflection
	200 > 320g/m sq	3.75	3.75	3.75	3.75	3.75	
	320 > 485g/m sq	5.0	5.0	5.0	3.55	2.7	

Also available for System 32<sup>®</sup>

Disclaimer: Nerval makes every effort to provide accurate specification data. However, specification may change without notice. Please visit nerval website to see NERVAL'S TERMS AND CONDITIONS.