

**Specification**

- Model No: NLED-CL1012
- Description: LED FLUSH MOUNT LIGHT
- Power: 12" 10 W
- Voltage: DC18-49V
- Lumen: 1200lms
- CCT: 4000K Natural White
- CRI: Ra>80
- Operating Temp.: N/A
- PF Rating: 0.9>PF
- Dimmable: No
- Style: Modern
- LED Type: SMD2835
- Certificate: cUL
- Luminous Efficacy: 120lm/W
- Warranty: 3 years
- Beam Angle: /
- Life Span: 20 years

PROJECT NAME	
PRODUCT NAME	LED FLUSH MOUNT LIGHTS
NOTES	MERCURY FREE
FIXTURE TYPE	FLUSH MOUNT FIXTURE



**Information**

Model No.	Description	Power	Voltage	Driver	CCT	Lumen	Certificate
NLED-CL1012	LED FLUSH MOUNT LIGHT 12"	10 W	100-240V	Included	4000K	1200lms	cUL

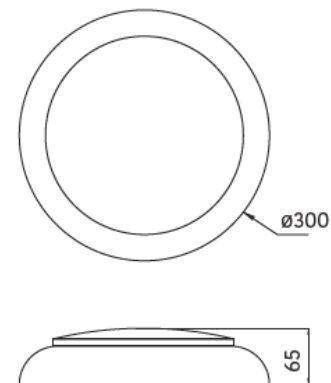
**Notes**

1. LED flush mount light offers No flicker of light, no glare. It offers even distribution
2. Elegant design and all components are made from aluminum that contributes for light weight and high quality
3. Generate low heat made from Aluminum that has better heat dissipation function.
4. Used for indoor lighting such as school, offices, hotels etc.

**Dimensions**

Product Dimension	L X W X H
NLED-CL1012	13.77" x 12" x 2.75"

Outer Carton Size	L X W X H
NLED-CL1012	14.24" x 13.8" x 4.12"
Net Weight (lbs)	1.1 lbs
Net Weight (lbs)	1.9 lbs



**LED FLUSH MOUNT LIGHT 12"**

